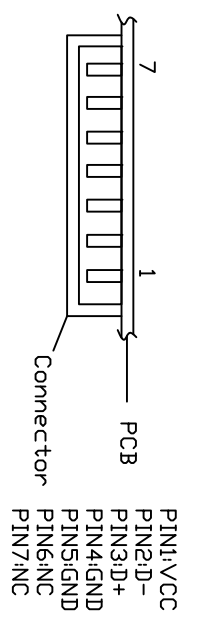
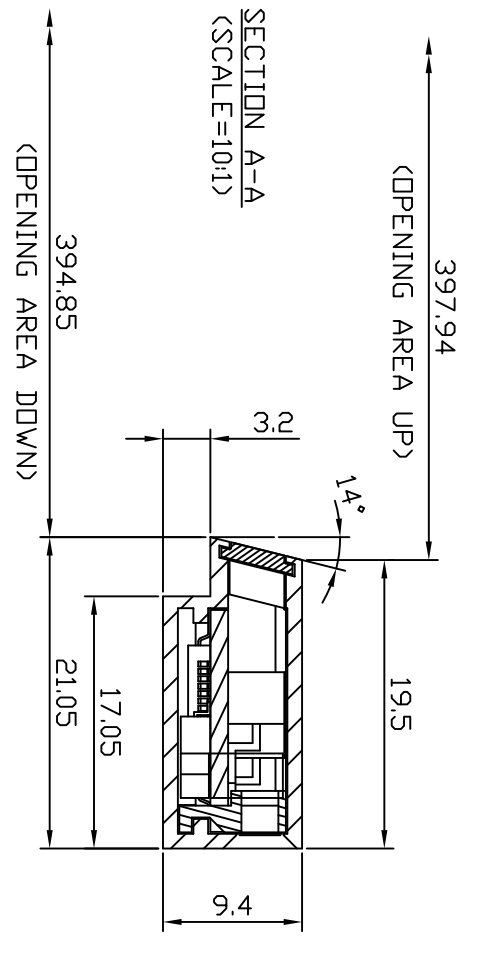
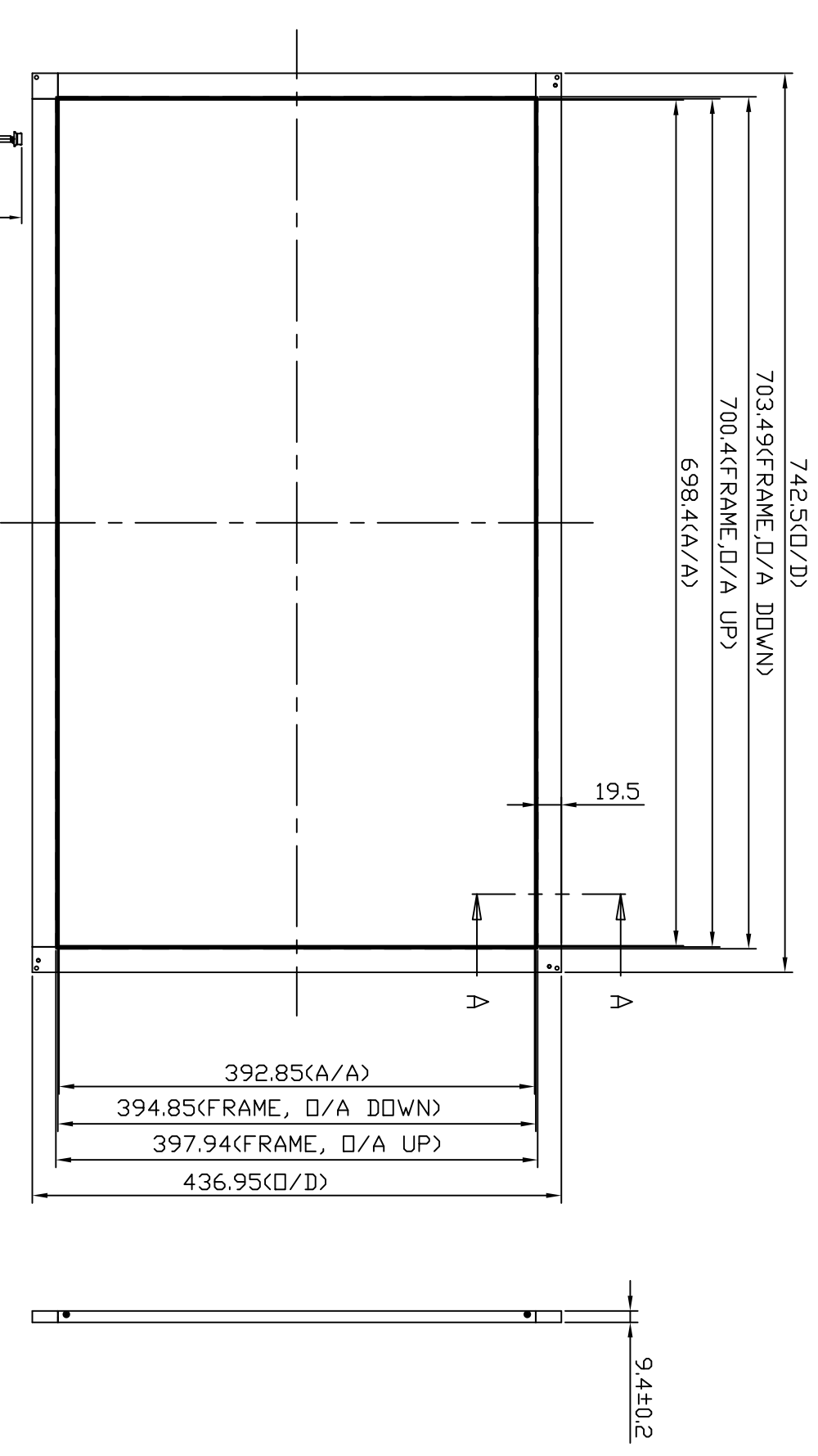


AMEND		MARK	DATE	REVISION ITEM	REVISION REASON
Δ	1	18/02/01	CABLE SPEC	Change cable specifications and add drawings	



NO	PART NO.	PART NAME	Q'TY	MATERIAL	COLOR/FINISH
		TIKTouch-TXXX			
		MODEL NO.	SCALE	UNIT	RMK'S
		PART NO.	XXX-XXX	1:1	
		PART NAME	T320-STD	mm	
		MATERIAL		A3	
		YY/MM/DD	18/02/27	SHEET	1/1
		DWG. NO.		REV. NO.	
		DWG. NAME		CHK'D	
		DRAWN		APP'D	

TOLERANCES (UNLESS OTHERWISE STATED)	DECIMALS	ANGLES ±0.5°
>2000mm	±2.00mm	
1600mm~2000mm	±1.20mm	
1200mm~1600mm	±0.80mm	
800mm~1200mm	±0.50mm	
400mm~800mm	±0.30mm	
120mm~400mm	±0.20mm	
30mm~120mm	±0.15mm	

