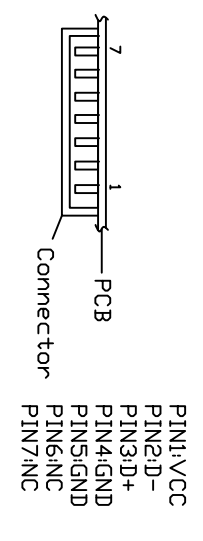
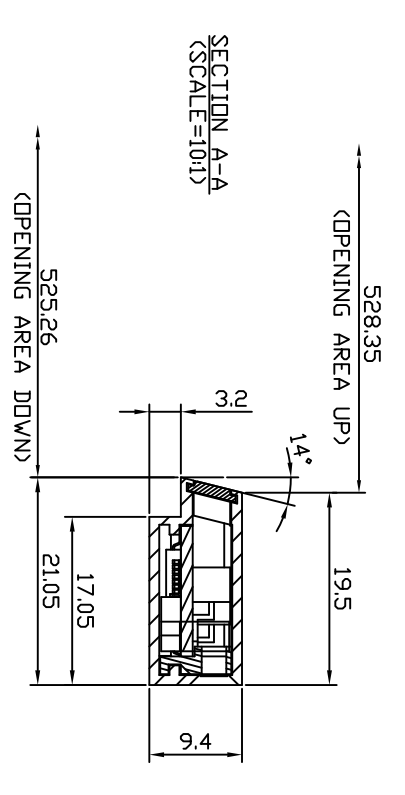
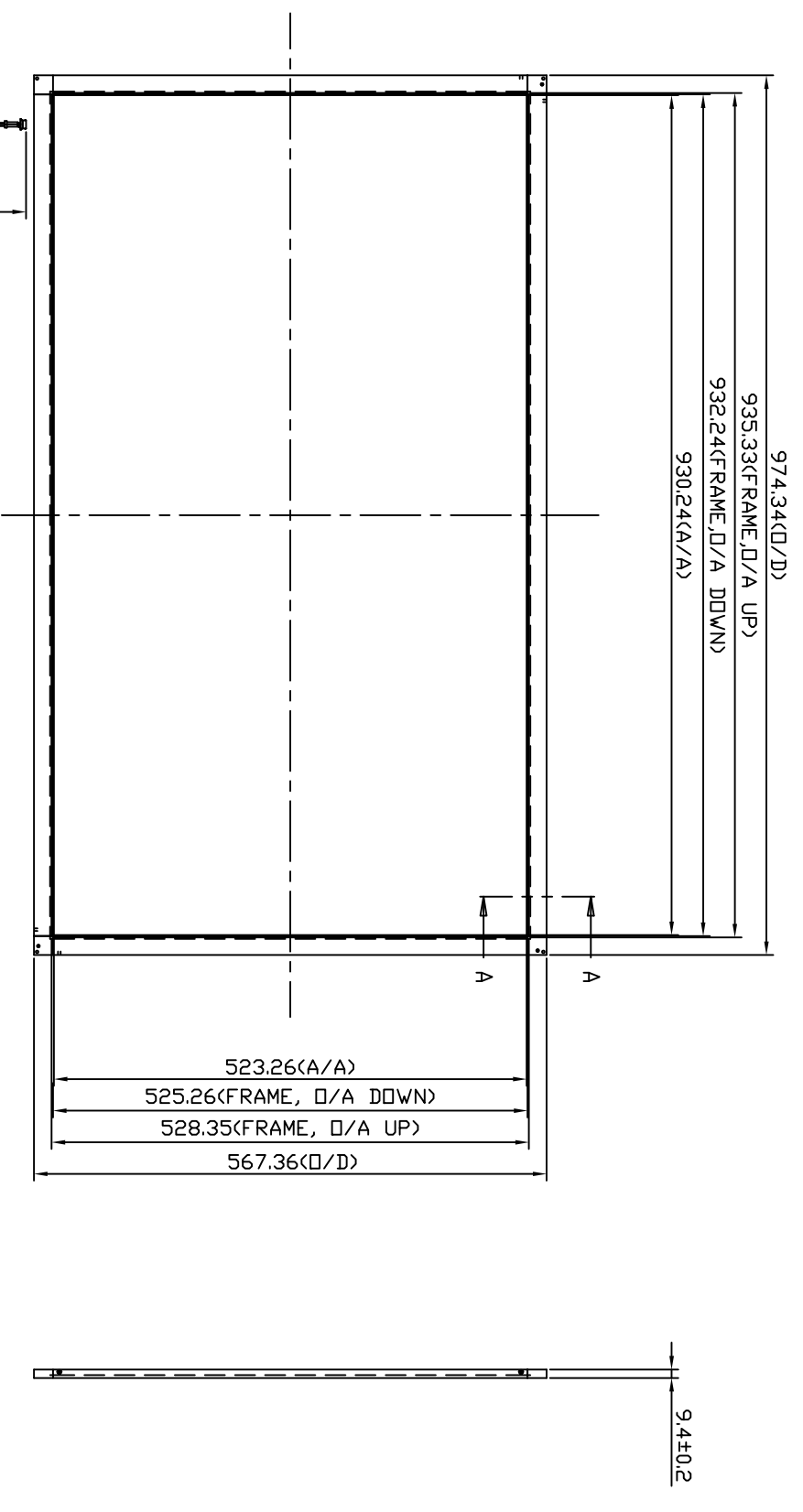


AMEND		REVISION ITEM	REVISION REASON
MARK	DATE		
△	18/02/01	CABLE SPEC	Change cable specifications and add drawings



NO	PART NO.	PART NAME	Q'TY	MATERIAL	COLOR/FINISH

MODEL NO.	TIKTouch-TXXX	SCALE	1:1	RMK'S
PART NO.	XXX-XXX	UNIT	mm	
PART NAME	T420	SIZE	A3	
MATERIAL		SHEET	1/1	
YY/MM/DD	18/02/27	REV. NO		
DWG. NO.		CHK'D		
DWG. NAME		APP'D		
DRAWN				

TOLERANCES (UNLESS OTHERWISE STATED)	DECIMALS	ANGLES ±0.5°
>200mm	±2.00mm	
160mm~200mm	±1.20mm	
120mm~160mm	±0.80mm	
80mm~120mm	±0.50mm	
40mm~80mm	±0.30mm	
120mm~400mm	±0.20mm	
30mm~120mm	±0.15mm	
530mm	±0.15mm	



A3 (420 x 297)