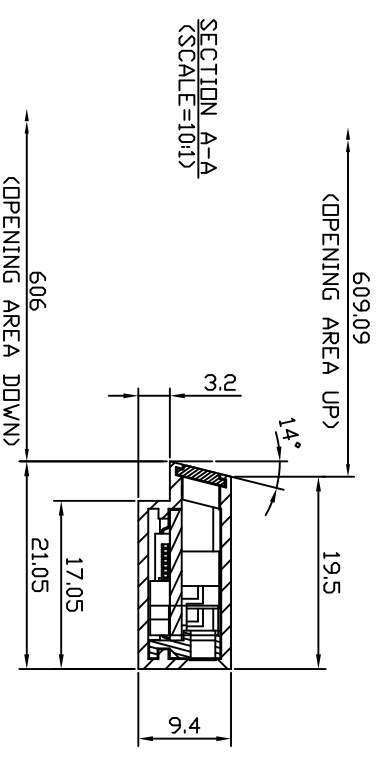
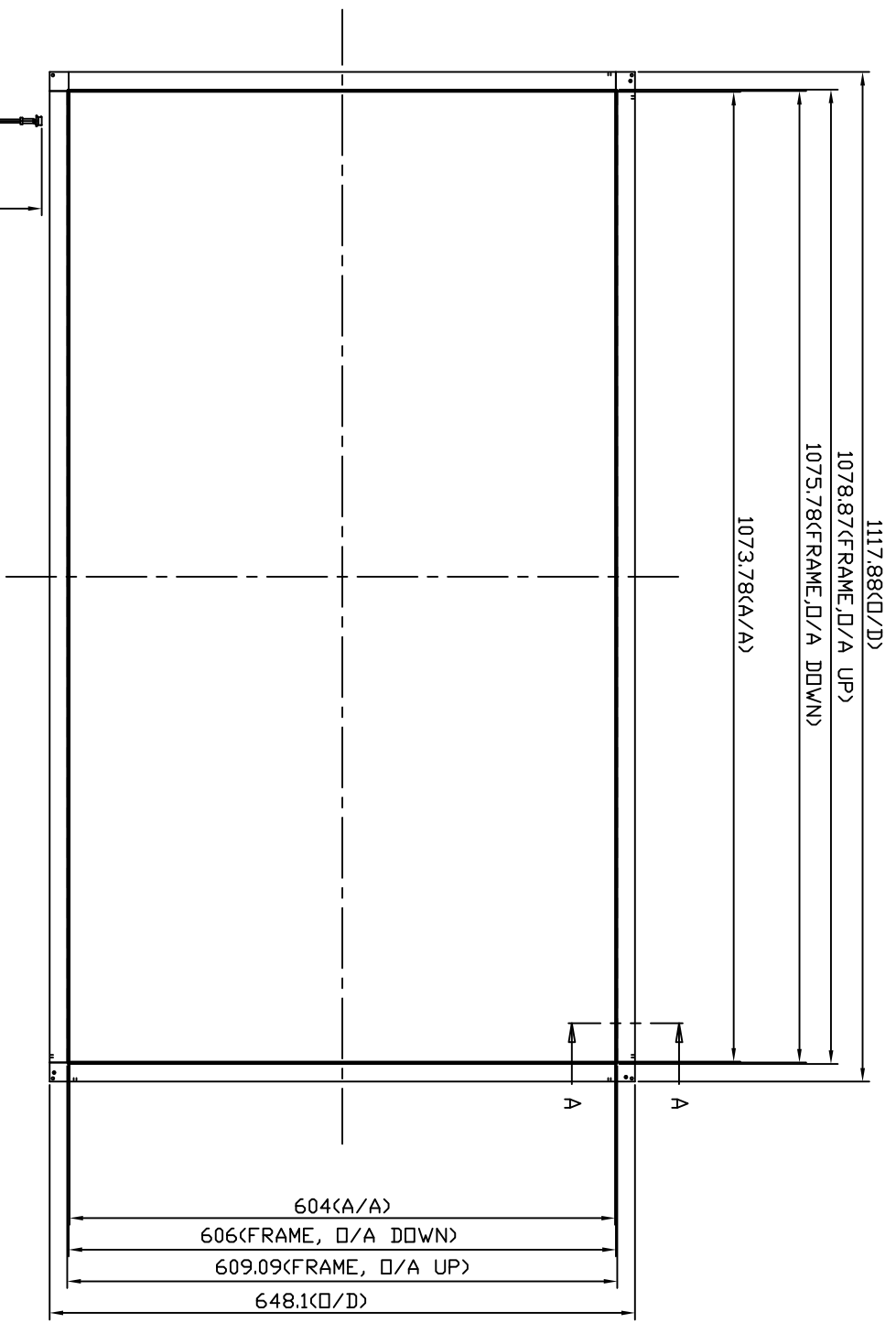
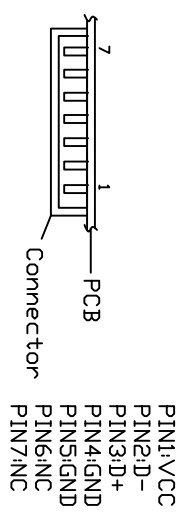


AMEND		MARK	DATE	REVISION ITEM	REVISION REASON
Δ		18/02/01	CABLE SPEC	Change cable specifications and add drawings	



9.4±0.2

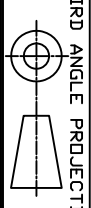


NO	PART NO.	PART NAME	Q'TY	MATERIAL	COLOR/FINISH

NO	PART NO.	PART NAME	Q'TY	MATERIAL	COLOR/FINISH

MODEL NO.	TIKTouch-TXXX	SCALE	1:1	RMK'S
PART NO.	XXX-XXX	UNIT	mm	
PART NAME	T490	SIZE	A3	
MATERIAL		SHEET	1/1	
YY/MM/DD	18/02/27	REV. NO		
DWG. NO.		CHK'D		
DRAWN		APP'D		

TOLERANCES (UNLESS OTHERWISE STATED)	DECIMALS	ANGLES ±0.5°
>200mm	±2.00mm	
160mm~200mm	±1.20mm	
120mm~160mm	±0.80mm	
80mm~120mm	±0.50mm	
40mm~80mm	±0.30mm	
120mm~400mm	±0.20mm	
30mm~120mm	±0.15mm	



A B C D E F G H

1 2 3 4 5 6

A3 (420 x 297)